

## Short Description



- Aluminium-alloy IP65 single point load cell
- Colourless anodized
- Suitable for single or double load cell structured platform scales
- Maximum platform size: 400 x 400 mm



Test certificate no. D09-06.11 Rev. 1  
C of C no R60/2000-CNI-06.04



Certificate no. 11-055

## Available Models

Capacity	Accuracy	Full article description
3kg	C3	L6N-C3-3kg-3B6
5kg	C3	L6N-C3-5kg-3B6
8kg	C3	L6N-C3-8kg-3B6
10kg	C3	L6N-C3-10kg-3B6
15kg	C3/C4	L6N-C3/C4-15kg-3B6
20kg	C3/C4	L6N-C3/C4-20kg-3B6
30kg	C3/C4	L6N-C3/C4-30kg-3B6
40kg	C3/C4	L6N-C3/C4-40kg-3B6
50kg	C3/C4	L6N-C3/C4-50kg-3B6
75kg	C3/C4	L6N-C3/C4-75kg-3B6
100kg	C3	L6N-C3-100kg-3B6
200kg	C3 Excluded from OIML	L6N-C3-200kg-3B6

Specifications and dimensions are subject to change without notice and do not constitute any liability whatsoever.

## Technical Specifications L6N

Accuracy Class		C3	OIML R60 C3	OIML R60 C4
Output Sensitivity (= FS)	mV/V	2.0 ± 0.2		
Maximum Capacity ( E <sub>max</sub> )	kg	200	3, 5, 8, 10, 15, 20, 30, 40, 50, 75, 100	15, 20, 30, 40, 50, 75
Max. Number of Load Cell Intervals	n <sub>LC</sub>	3000		4000
Ratio of min. LC Verification Interval	$Y = E_{max} / V_{min}$	7000	12000	20000
Combined Error	%FS	≤ ± 0.0230		≤ ± 0.0175
Creep Error (30 minutes)	%FS	≤ ± 0.0167		≤ ± 0.0125
Temperature Effect on Zero (ZTC)	%FS/10°C	≤ ± 0.0200		≤ ± 0.0120
Temperature Effect on Sensitivity (STC)	%FS/10°C	≤ ± 0.0175		≤ ± 0.0131
Zero Balance	%FS	≤ ± 2.0		
Safe Overload	%FS	150		
Ultimate Overload	%FS	200		
Maximum Deflection	mm	3kg - 30kg: 0.6 – 0.9	40kg - 200kg: 0.3 – 0.5	
Eccentric Loading Error	%Ld/cm	0.002		
Excitation, Recommended Voltage	V	5 ~ 15		
Excitation, Maximum Voltage	V	18		
Input Resistance	Ω	406 ± 6		
Output Resistance	Ω	350 ± 3		
Insulation Resistance (50V)	MΩ	≥ 5000		
Compensated Temperature	°C	-10 ~ + 40		
Operating Temperature	°C	-35 ~ + 65		
Storage Temperature	°C	-40 ~ + 70		
Load Cell Weight	kg	~0.3		
Element Material		Aluminium		
Ingress Protection (acc. to EN 60529)		IP65		
Recommended Torque on Fixation Bolts	Nm	M6: 10		

## Wiring

### Features:

Cable type: Shielded, 6 conductor cable , conductor AWG 26

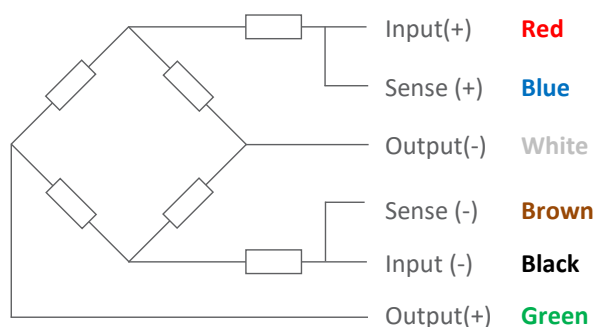
Cable diameter: Ø 4.8 ± 0.2mm

Cable length: 3.0 ± 0.05m

Cable jacket: PVC

Shield not connected to element

### 6-Wire Connection Diagram

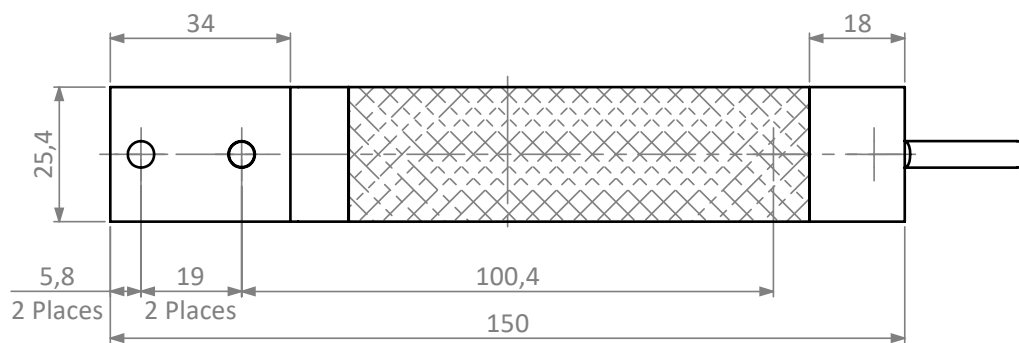


Specifications and dimensions are subject to change without notice and do not constitute any liability whatsoever.

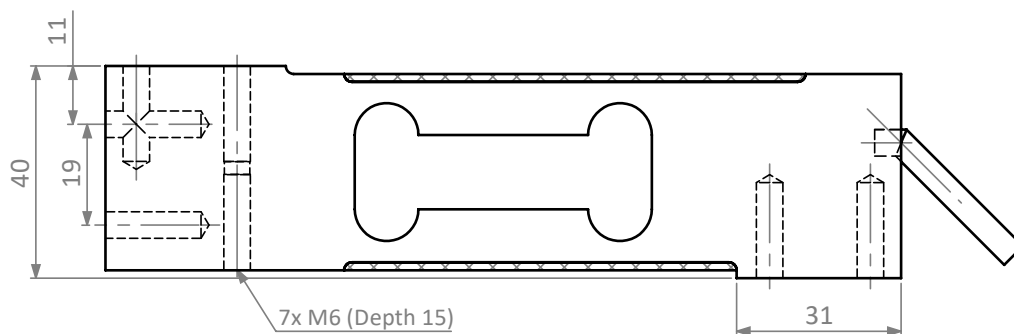
# Type L6N Load Cell

## Dimensions in mm

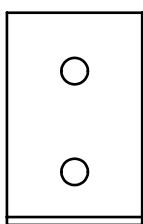
### Top View



### Front View



### Side View



### Isometric View

