



## Short Description



- Stainless steel IP68 shear beam load cell
- Hermetically sealed
- Suitable for hopper, platform and pallet scales
- High accuracy
- Current calibrated (A1-option)



Test certificate no. TC8104 Revision 2  
C of C no R60/2000-NL1-13.20 Revision 1



Certificate no. 11-056A1

## Available Models

Capacity	Accuracy	Full article description
500kg	C3	BM8H-C3-500kg-3B-A1
1t	C3	BM8H-C3-1t-3B-A1
1.5t	C3	BM8H-C3-1.5t-3B-A1
2t	C3	BM8H-C3-2t-6B-A1
5t	C3	BM8H-C3-5t-6B-A1

## Technical Specifications BM8H

Accuracy Class		OIML R60 C3	
Output Sensitivity (= FS)	mV/V	2.0 ± 0.02	
Maximum Capacity ( E <sub>max</sub> )	t	0.5, 1, 1.5, 2, 5	
Max. Number of Load Cell Intervals	n <sub>LC</sub>	3000	
Ratio of min. LC Verification Interval	$Y = E_{max} / V_{min}$	10000	
Combined Error	%FS	≤± 0.0230	
Creep Error (30 minutes)	%FS	≤± 0.016	
Temperature Effect on Zero (ZTC)	%FS/10°C	≤± 0.015	
Temperature Effect on Sensitivity (STC)	%FS/10°C	≤± 0.011	
Zero Balance	%FS	≤± 1.0	
Safe Overload	%FS	150	
Ultimate Overload	%FS	300	
Maximum Deflection	mm	0.5t – 2t: 0.1108 ~ 0.2361	5t: 0.63451
Excitation, Recommended Voltage	V	5 ~ x12	
Excitation, Maximum Voltage	V	18	
Input Resistance	Ω	1000 ± 10	
Output Resistance	Ω	1000 ± 10	
Insulation Resistance (50V)	MΩ	≥5000	
Compensated Temperature	°C	-10 ~ + 40	
Operating Temperature	°C	-35 ~ + 65	
Storage Temperature	°C	-40 ~ + 80	
Load Cell Weight	kg	0.5t – 2t: 0.9 ~ 1.1	5t: 2.0
Element Material		Stainless Steel	
Ingress Protection (acc. to EN 60529)		IP68	
Recommended Torque on Fixation Bolts	Nm	M12: 100	M20: 450
ATEX Classification (optional)		II1G Ex ia II1C T4	II1D Ex iaD 20 T73°C   II3G Ex nL IIC T4

## Wiring

### Features:

Cable type: Shielded, 4 & 6 conductor cable , 4-conductor AWG 22 / 6-conductor AWG 28

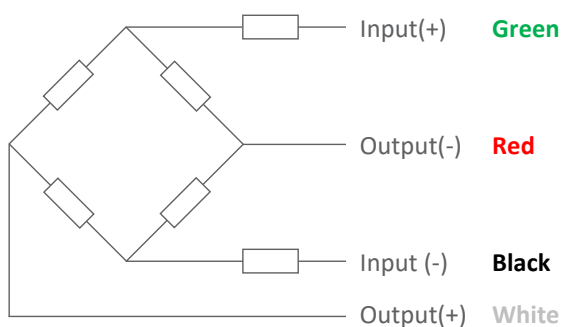
Cable diameter: Ø 5.0mm

Cable length: 3.0m for 500kg – 1t, 6m for 2t – 5t.

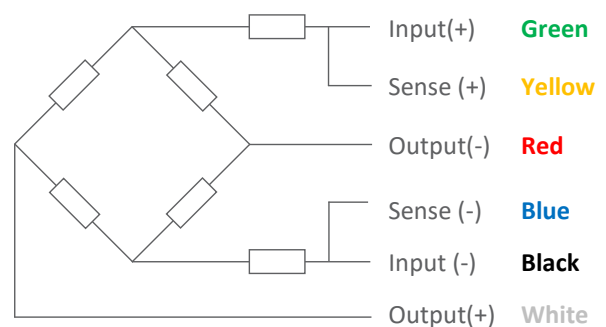
Cable jacket: Polyurethane

Shield not connected to element

### 4-Wire Connection Diagram

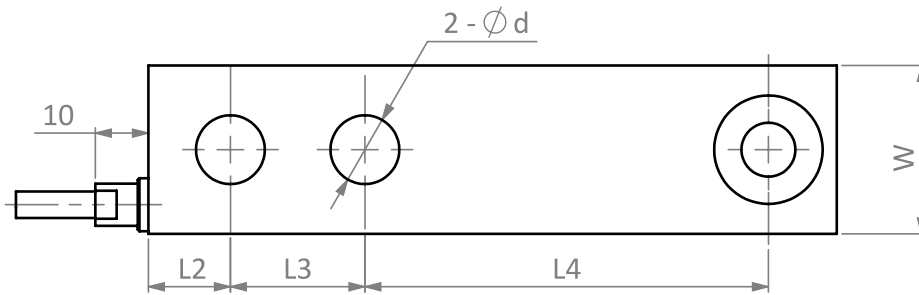


### 6-Wire Connection Diagram

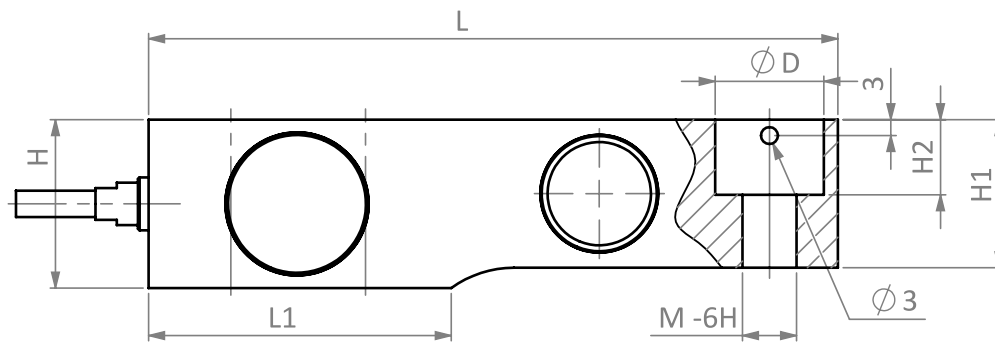


## Dimensions in mm

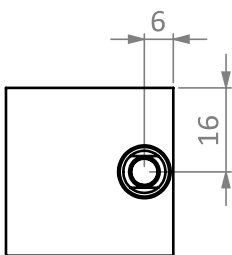
### Top View



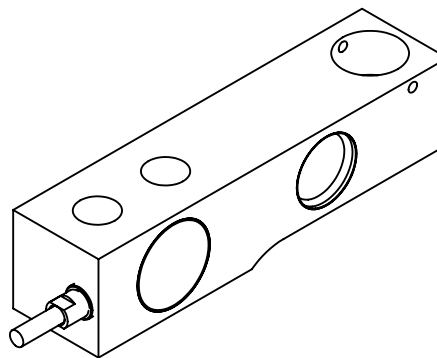
### Side View



### Back View



### Isometric View



Dimension Capacity	L	L1	L2	L3	L4	H	H1	H2	W	D	d	M
500kg	130.0	57.1	15.5	25.4	76.2	31.8	26.0	14.2	31.8	20.5	13	M12
1.0t	130.0	57.1	15.5	25.4	76.2	31.8	27.95	14.2	31.8	20.5	13	M12
1.5t, 2.0t	130.0	57.1	15.5	25.4	76.2	35.9	31.95	14.2	31.8	20.5	13	M12
5.0t	172	76.2	19.1	38.1	95.3	44	40	20	38	30.2	20.5	M20